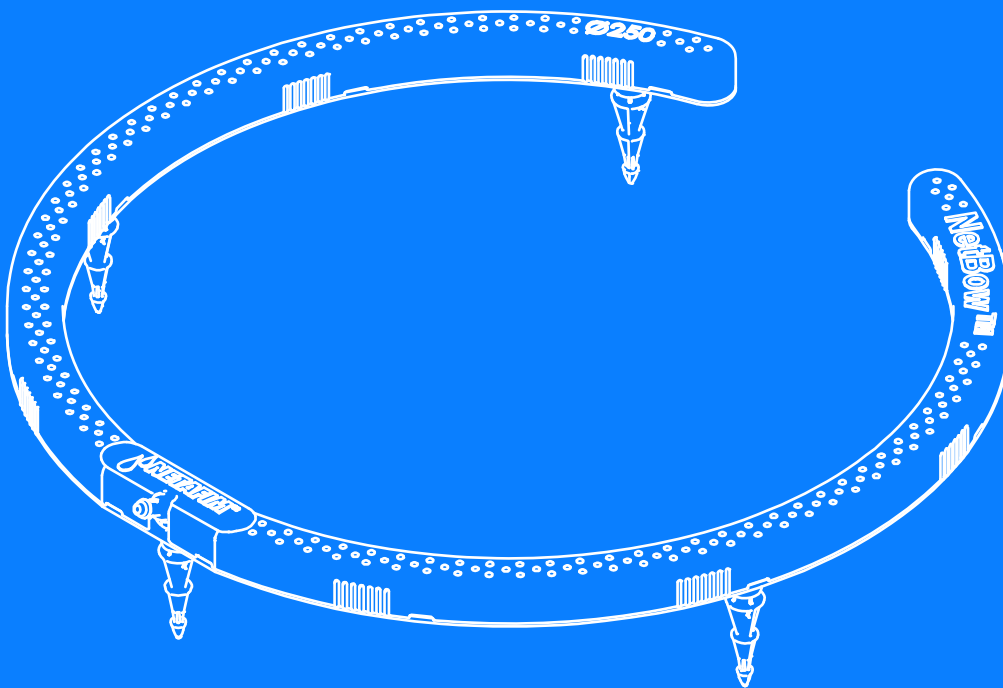


NetBow™

Container Irrigation Ring

/ Installation Manual



© COPYRIGHT 2020, NETAFIM™

NO PARTS OF THIS PUBLICATION MAY BE REPRODUCED, STORED IN AN AUTOMATED DATA FILE OR MADE PUBLIC IN ANY FORM OR BY ANY MEANS, WHETHER ELECTRONIC, MECHANICAL, BY PHOTOCOPYING, RECORDING OR IN ANY OTHER MANNER WITHOUT PRIOR WRITTEN PERMISSION OF THE PUBLISHER.

ALTHOUGH NETAFIM™ TAKES THE GREATEST POSSIBLE CARE IN DESIGNING AND PRODUCING BOTH ITS PRODUCTS AND THE ASSOCIATED DOCUMENTATION, THEY MAY STILL INCLUDE FAULTS.

NETAFIM™ WILL NOT ACCEPT RESPONSIBILITY FOR DAMAGE RESULTING FROM USE OF NETAFIM'S PRODUCTS OR USE OF THIS MANUAL.

NETAFIM™ RESERVES THE RIGHT TO MAKE CHANGES AND IMPROVEMENTS TO ITS PRODUCTS AND/OR THE ASSOCIATED DOCUMENTATION WITHOUT PRIOR NOTICE.



FOREIGN LANGUAGES

In the event that you are reading this manual in a language other than the English language, you acknowledge and agree that the English language version shall prevail in case of inconsistency or contradiction in interpretation or translation.

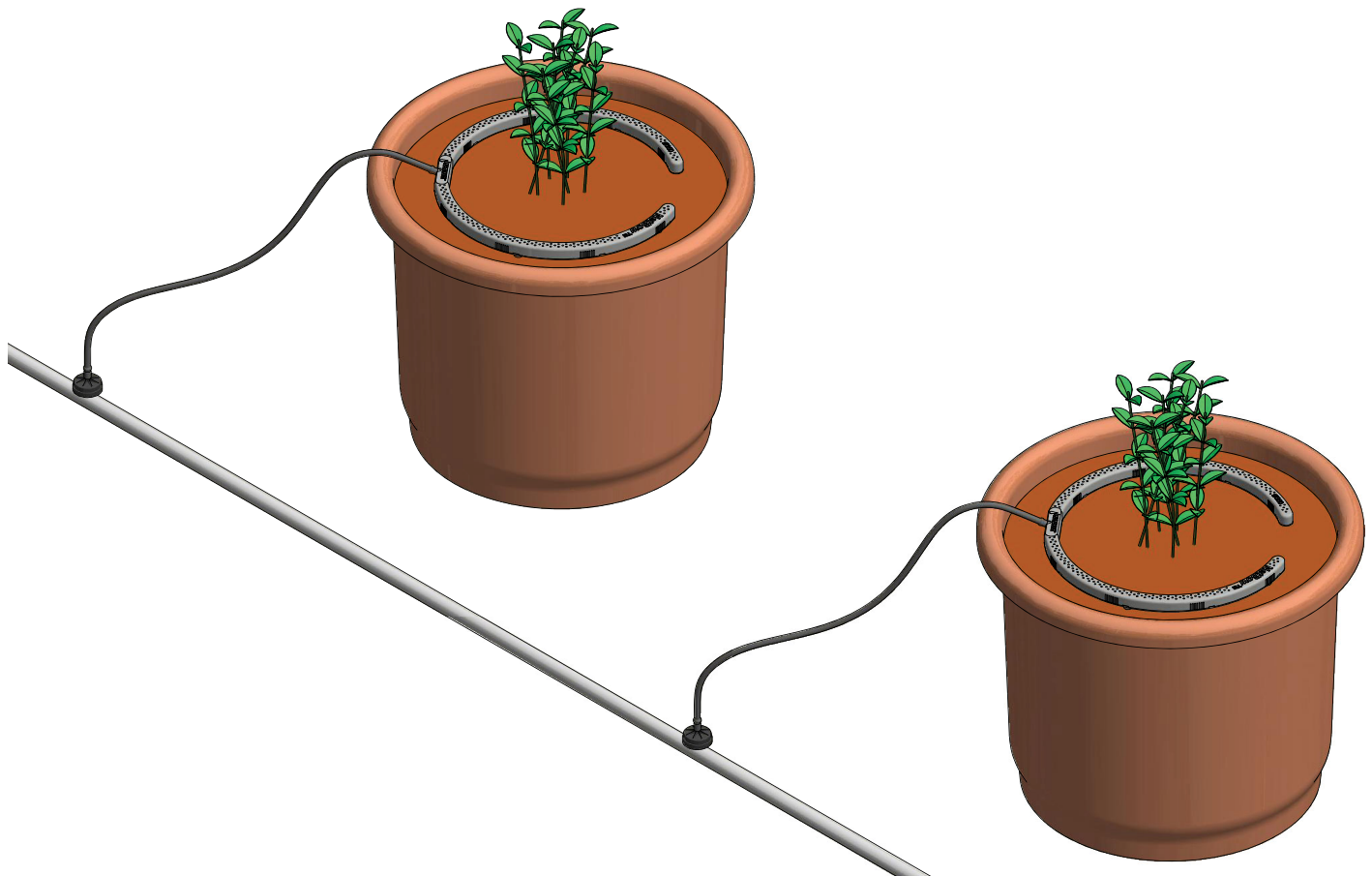
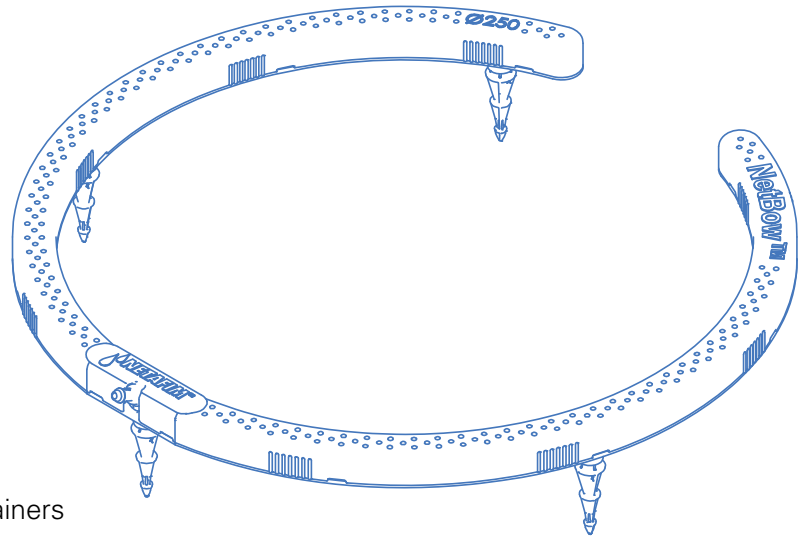
NetBow™

Container Irrigation Ring

An innovative user-friendly container irrigation ring with multi-outlet emitters. Featuring Typhoon™, our superior clog resistant emitter for maximum water distribution.

Specs. & Recommendations

- Compatible with 5-10 gallon (20-40 liter) containers
 - Diameter: 10 inches (250 mm)
 - The flow from each one of the 8 dripping outlets is the hub dripper flow divided by 8.
 - Minimum operating pressure: according to hub dripper definitions.
 - Minimum recommended pressure at the hub dripper inlet: according to hub dripper definitions.
 - Maximum recommended pressure at the hub dripper inlet: 58 psi (4.0 bar)
 - Flow of the hub dripper should be 0.53-2.11 GPH (2.0-8.0 l/h).
- If your required flow / pressure is out of this range, consult your Netafim™ local representative.



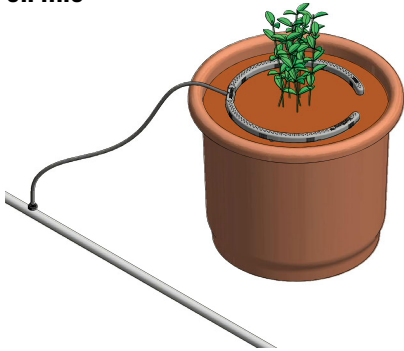
Connection options

NetBow™ can be connected to different hub dripper - PCJ, PC, or UniRam™ with Dr. Zip™

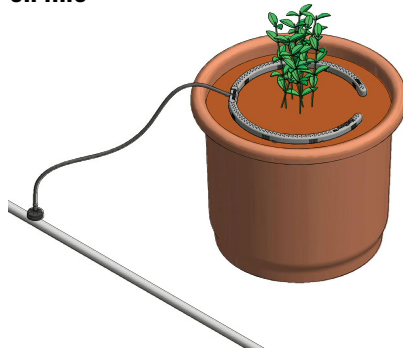
- When connected to a hub dripper NetBow™ can deliver flow rate as low as ¼ l/h from each one of its 8 dripping outlets (total flow rate: 0.53 GPH (2.0 l/h), while maintaining sufficient velocity for self-cleaning).

NetBow™ options of hub dripper

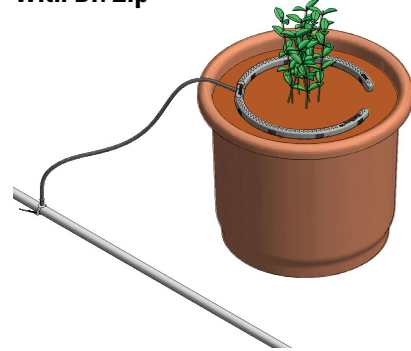
PCJ on line



PC on line



UniRam™ with Dr. Zip™

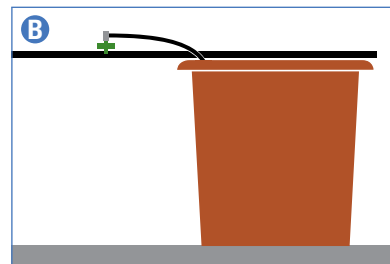
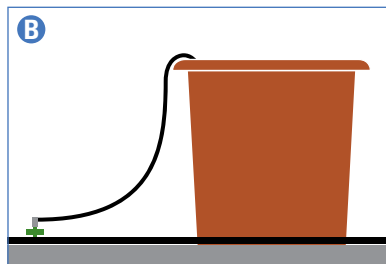
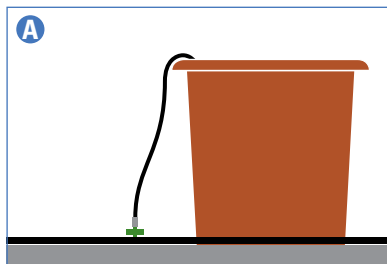


Installation

- Cut a section of 3X5 mm diameter micro-tube at the required length to reach conveniently from the hub dripper to the NetBow™ inlet. Using PE (polyethylene) micro-tube is recommended for ease of installation (pre-cut PE micro-tube sections of the required length with the required fittings can be ordered).
- Connect it to the barb connector of the hub dripper. If the hub dripper is fitted with a Press-Fit connector, use a Press-Fit to barb adapter (see available options on page 5).

Use the appropriate type of adaptor according to the dripline and hub-dripper location

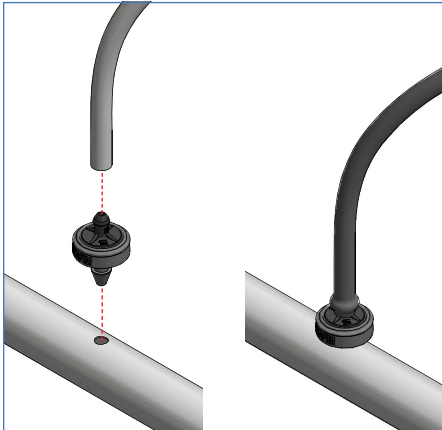
- A** If the hub dripper is at close proximity to the pot and the dripline is located on the surface on which the pot rests, use a straight barb adapter.
- B** If the hub dripper is at a distance from the pot or the dripline is located on top of the pot, use an elbow barb adapter.



NetBow™ options of connection to the hub dripper

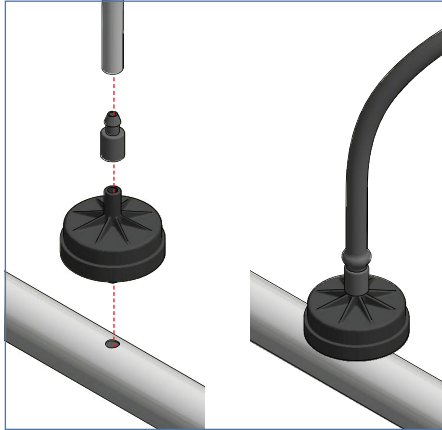
PCJ on line

- PCJ with barb connector



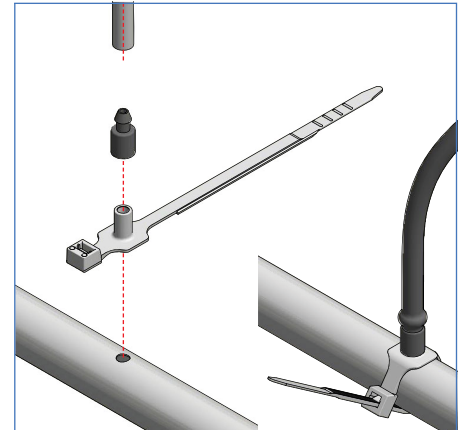
PC on line

- PC with Press-Fit connector and straight Press-Fit to barb adaptor

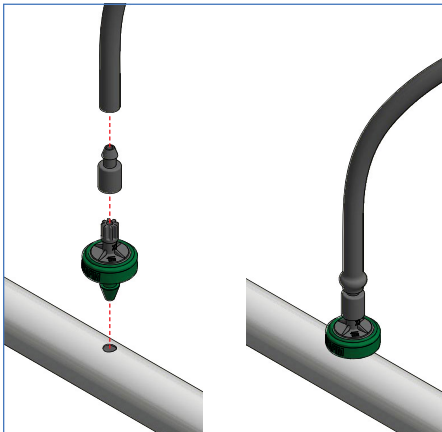


UniRam™ with Dr. Zip™

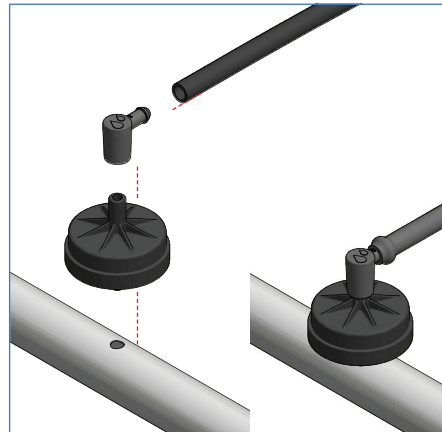
- UniRam™ with Dr. Zip™ and straight Press-Fit to barb adaptor



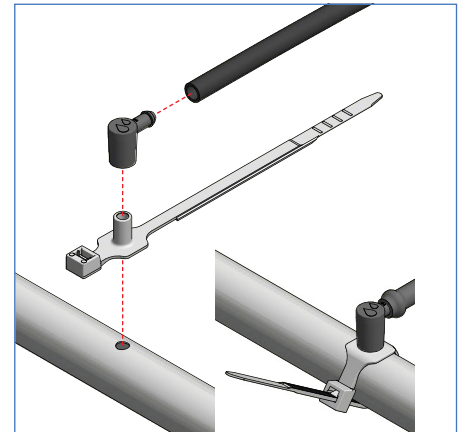
- PCJ with Press-Fit connector and straight Press-Fit to barb adaptor



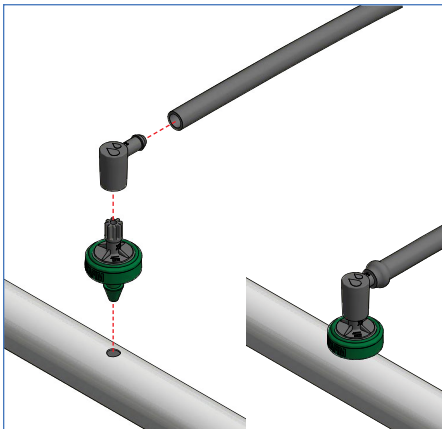
- PC with Press-Fit connector and elbow Press-Fit to barb adaptor



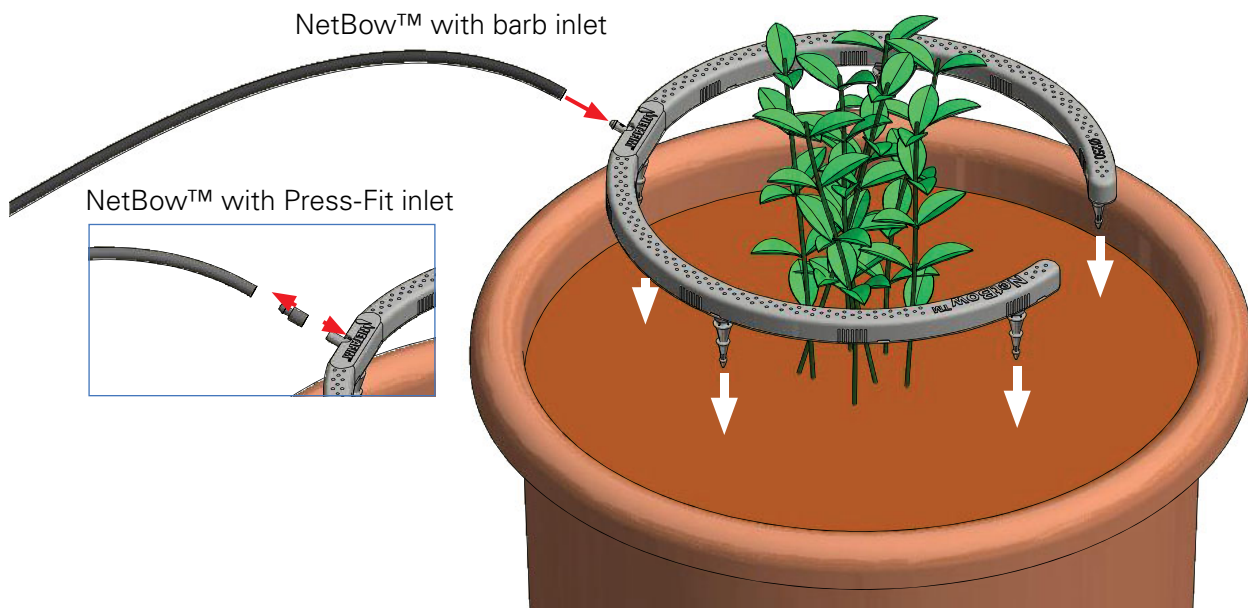
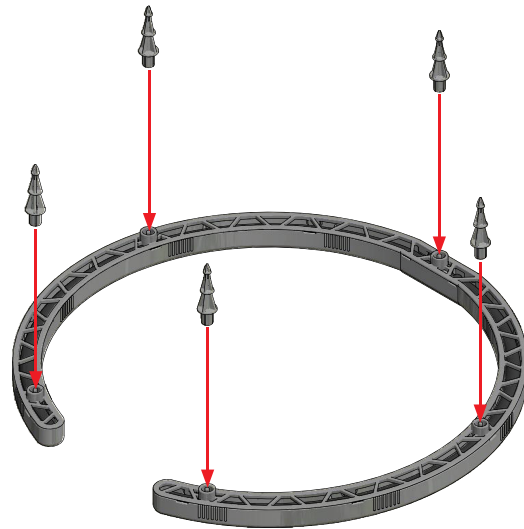
- UniRam™ with Dr. Zip™ and elbow Press-Fit to barb adaptor



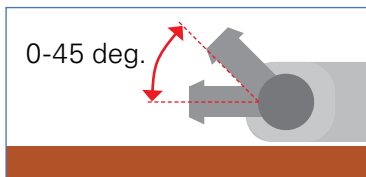
- PCJ with Press-Fit connector and elbow Press-Fit to barb adaptor



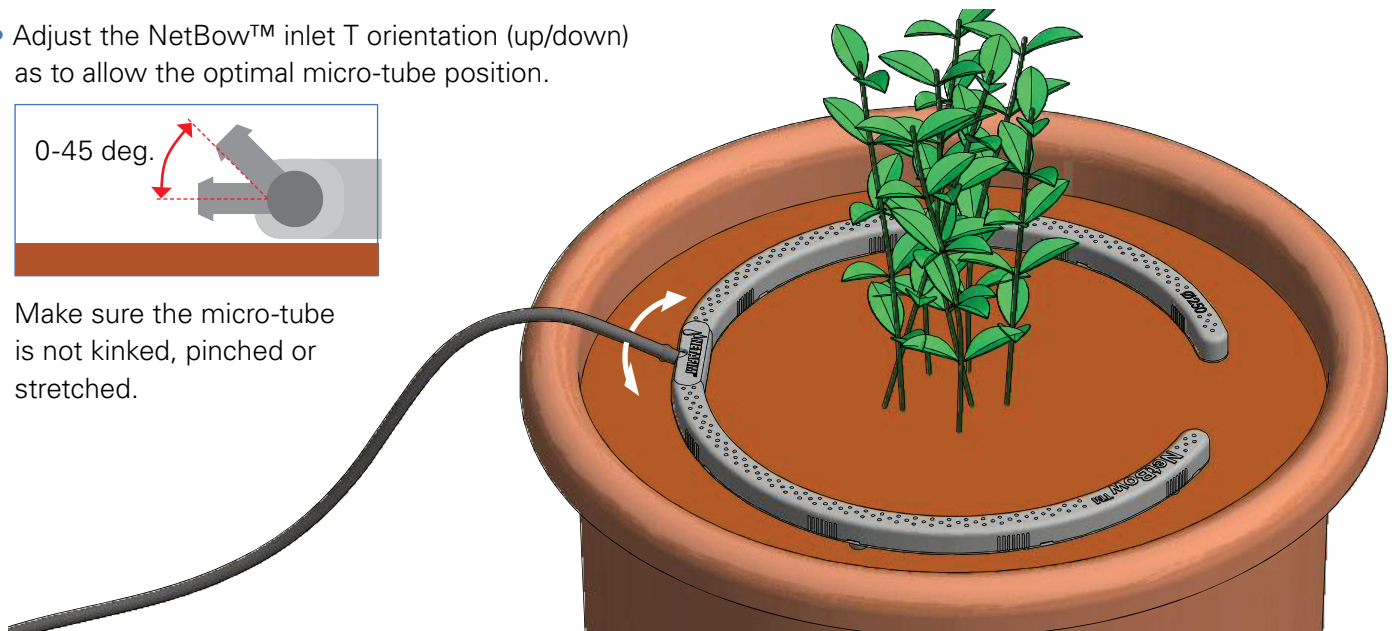
- Insert the 5 spikes into the 5 holes on the NetBow™ underside
- Place the NetBow™ on the the substrate surface in the pot, surrounding the plant location.
- Connect the free side of the micro-tube to the NetBow™ barb inlet. For NetBow™ with Press-Fit inlet use a straight Press-Fit to barb adaptor
- Insert the NetBow™ spikes into the substrate so that its underside is in contact with the substrate.



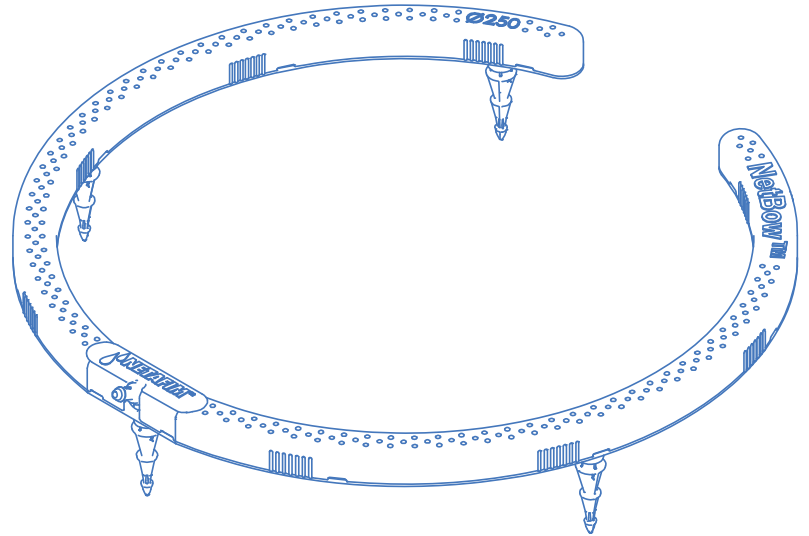
- Adjust the NetBow™ inlet T orientation (up/down) as to allow the optimal micro-tube position.



Make sure the micro-tube is not kinked, pinched or stretched.



Order Details






Ordering information

Product Description	Quantity per Carton (Units)	Model Number
NetBow™ 10" 8 outlets, barb, grey	60	NETBOW10-CART

Accessories

The NetBow™ can be connected directly by micro-tube to Netafim™ PC and PCJ on line drippers equipped with a barb outlet, or to PC, PCJ on line drippers and UniRam™ integral driplines with Dr. Zip™, using one of the following Netafim™ adapters (to be ordered separately):

Product	Description	Qty	Item Number
Micro-tube Adapter barb - straight 3 X 5 	Inlet: Female Press-Fit Outlet: Barb, 3 X 5 Colored brown	1	32000-002000
		250/bag	32000-002030
Micro-tube Elbow adapter barb 3 X 5 	Inlet: Female Press-Fit Outlet: Barb, 3 X 5 Colored black	1	N/A
		50/bag	32000-002525
Soft PE micro-tube 3 X 5 	Soft PE micro-tube bi-layer, gray outside, black inside	1000'	40001-002500
		3000'	40001-003360
		6000'	40001-000262

GROW MORE WITH LESS

WWW.NETAFIMUSA.COM